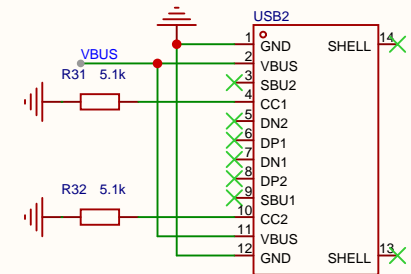
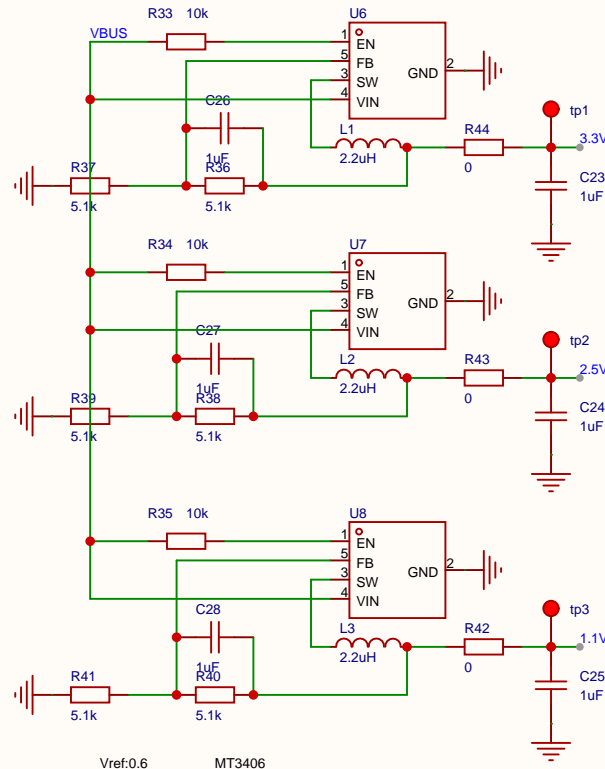
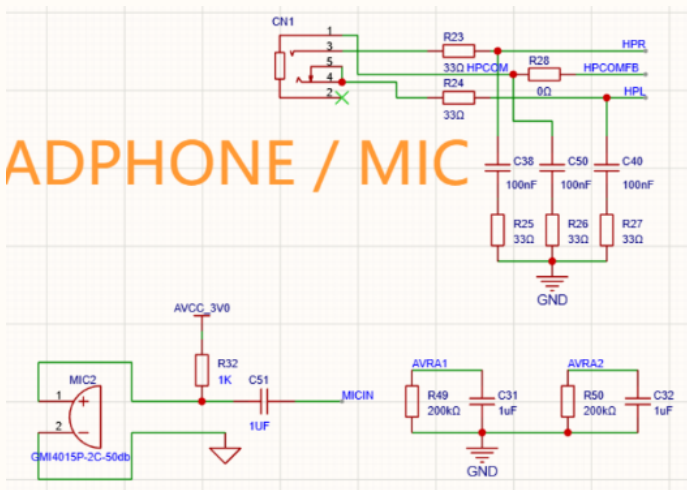
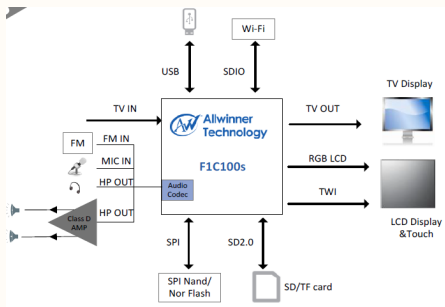
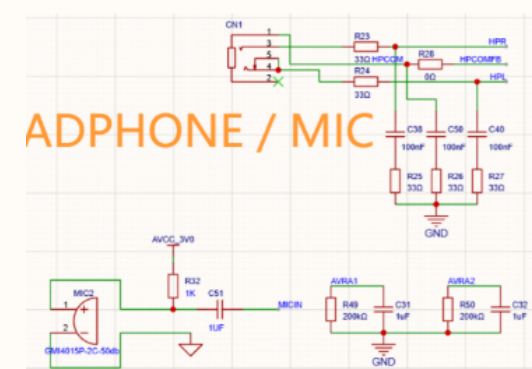
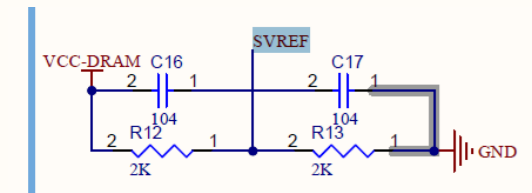


Symbol	Parameter	Min	Max	Unit
T _{stg}	Storage Temperature	-65	150	°C
I _{VO}	In/Out current for input and output	-40	40	mA
VCC-IO	Power Supply for I/O	-0.3	3.6	V
AVCC	Power Supply for Codec	-0.3	3.1	V
TV_AVCC	Power Supply for TV	-0.3	3.6	V
VDD-CORE	Power Supply for Internal Digital Logic	-0.3	1.3	V
UVCC	Power Supply for USB	-0.3	3.6	V
VCC-DRAM	Power Supply for DDR1	-0.3	2.7	V

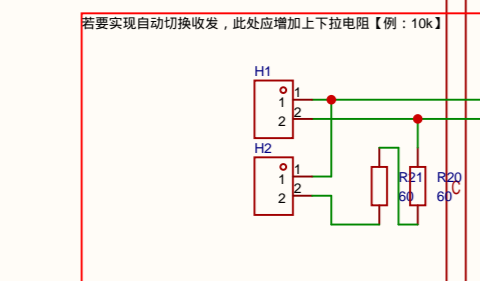
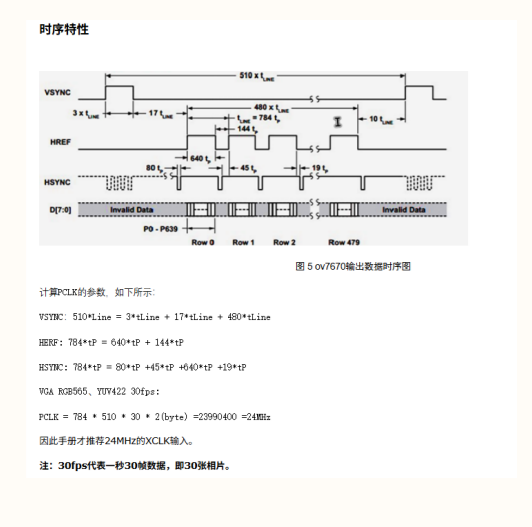
Symbol	Parameter	Min	Typ	Max	Unit
T _a	Ambient Operating Temperature[Commercial]	-20	-	85	°C
VCC-IO	Power Supply for I/O	3.0	3.3	3.6	V
AVCC	Power Supply for Codec	2.5	2.8	3.1	V
TV_AVCC	Power Supply for TV	3.0	3.3	3.6	V
VDD-CORE	Power Supply for Internal Digital Logic	1.0	1.1	1.2	V
UVCC	Power Supply for USB	3.0	3.3	3.6	V
VCC-DRAM	Power Supply for DDR1	2.3	2.5	2.7	V



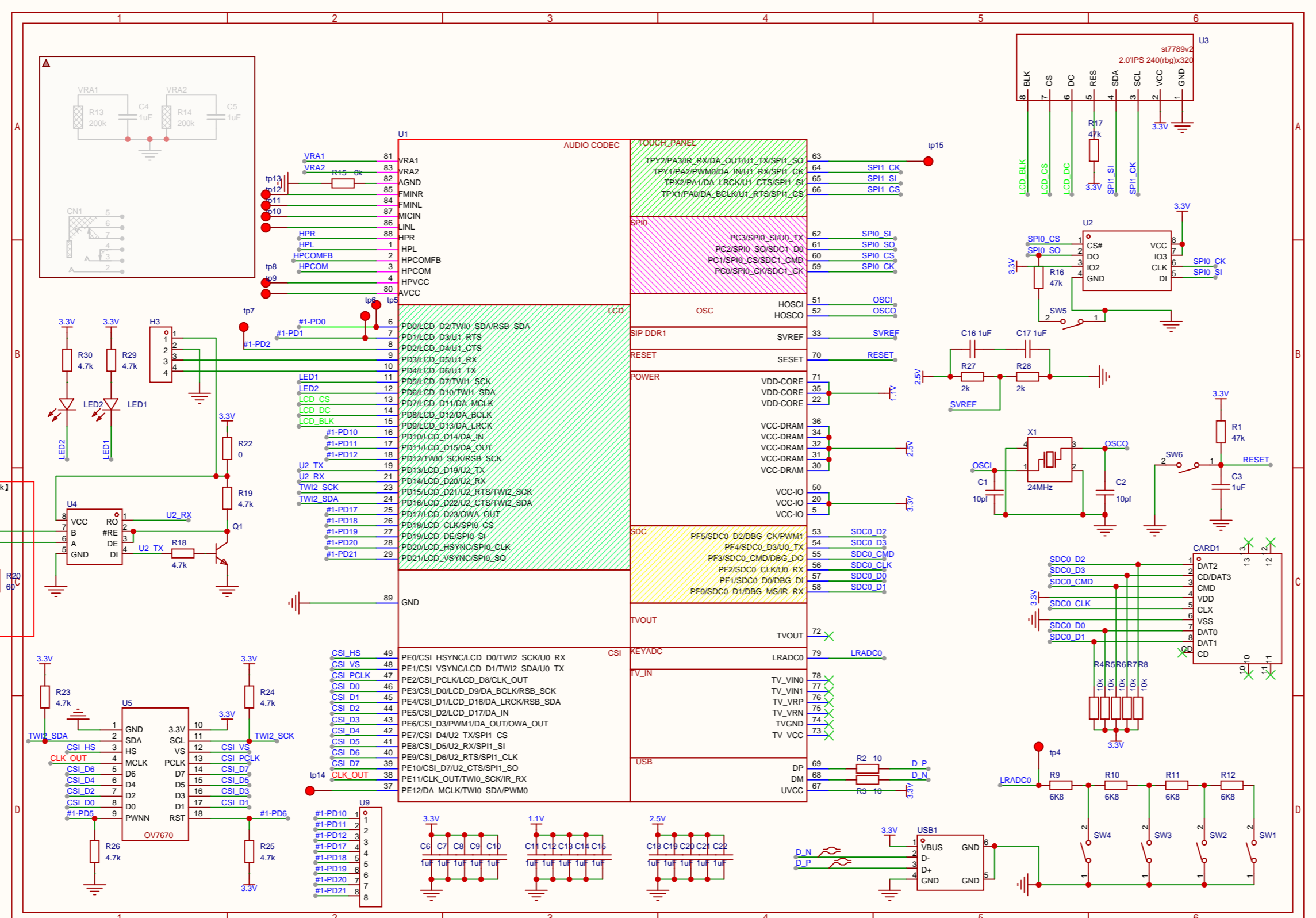


7.8.3.1 数字音频接口引脚列表

信号名称	方向 (I/O)	描述	脚
DA_LCK	I/O	数字音频采样率时钟 同步	PA8/PO6/PA1
DA_WCLK	I/O	数字音频串行数据 同步	PA9/PO7/PA2
DA_SDOO	O	数字音频串行数据输出	PA3/PO13/PA3A
DA_SDI	I	数字音频串行数据输入	PA2/PO15/PA2A
DA_MCLK	O	数字音频 MCLK 输出	PD7



<https://www.cnblogs.com/logic3/p/15915685.html>



链接: <https://pan.baidu.com/s/1JNWMGAn1yuP3-micKahzqQ?pwd=cj6c> 提取码: cj6c 复制这段内容后打开百度网盘手机App, 操作更方便哦